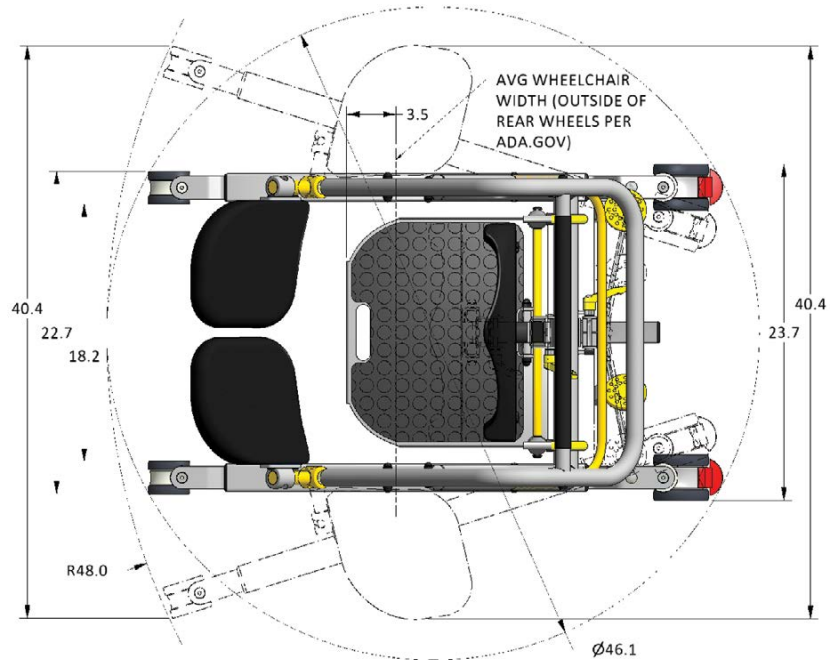
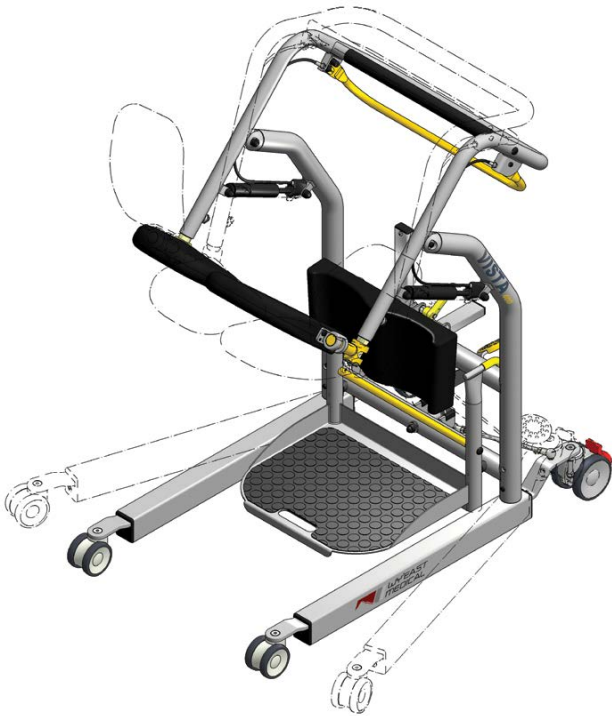


VISTA400

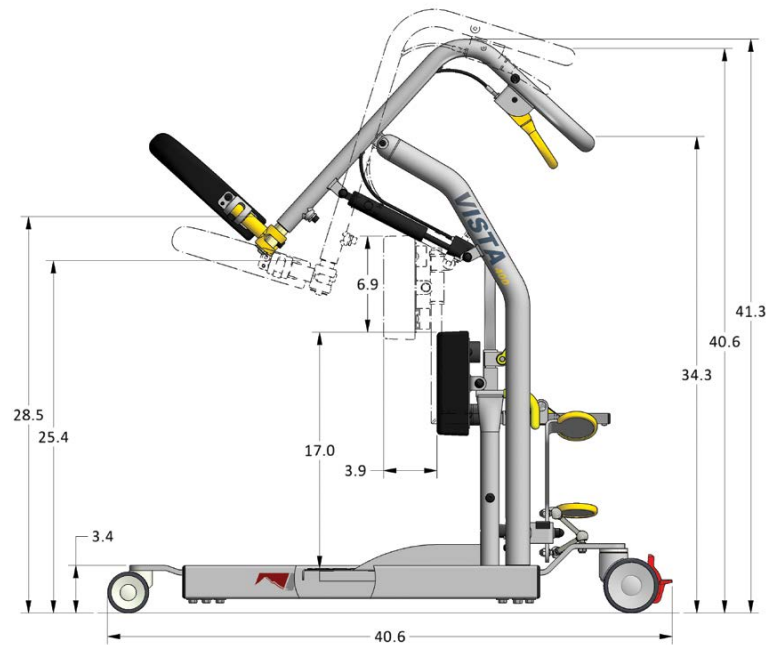
Non-Powered Stand Aid

WY'EAST
MEDICAL



Specifications

PARAMETER	SPEC
• Maximum Load	400 lb
• Total Weight	92 lb
• Weight Loose Parts (Footrest)	12 lb
• Removable Footplate Dimensions	14" x 17" x 14"
• Wheels, Front	3" Diameter
• Wheels, Rear	4" Diameter
• Turning Diameter	46.1" Diameter
• Leg Under bed/Stretchers Clearance	3.4"
• Standard Door Width Clearance	23.7"
• Frame	Steel & Aluminum



52700 R09

800.255.3126 | wyeastmedical.com