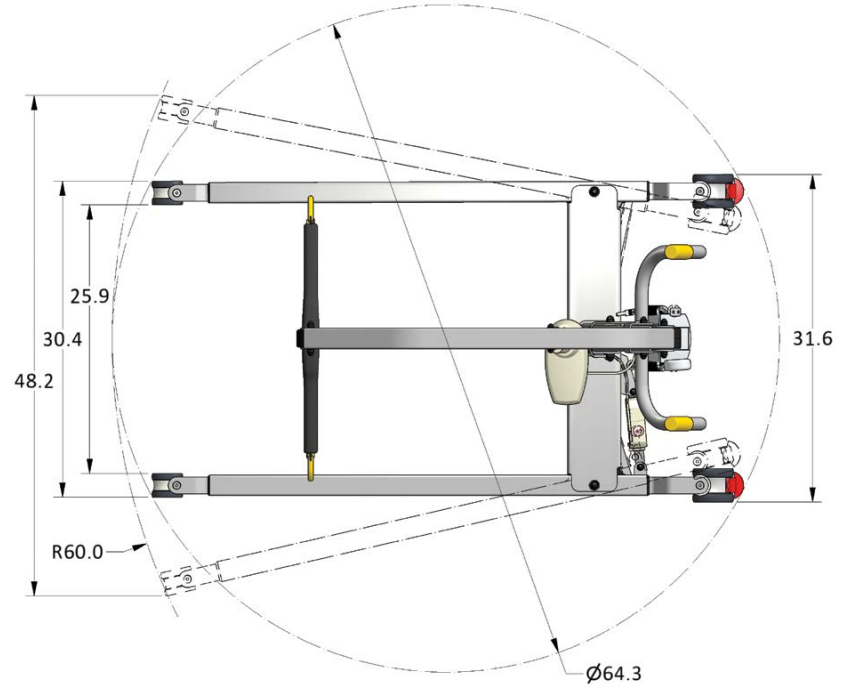
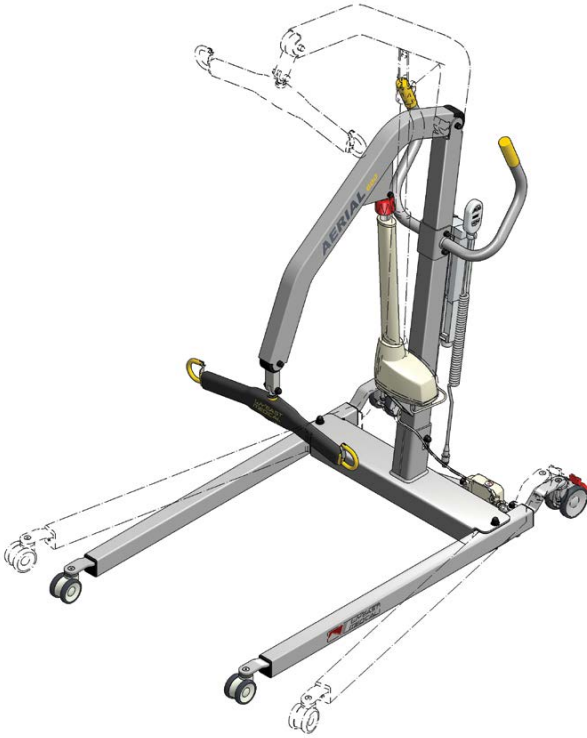


AERIAL600

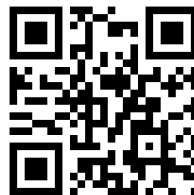
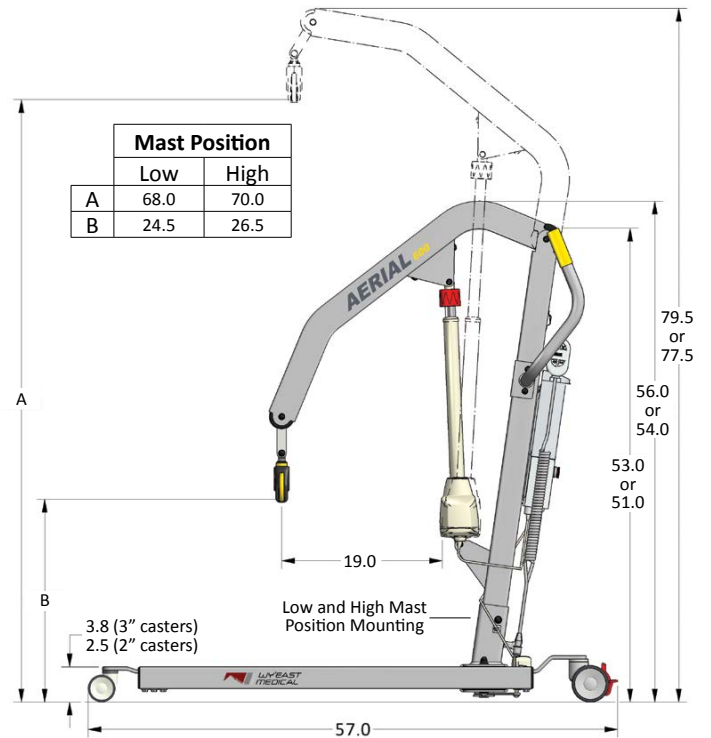
Maximum Assist Mobile Lift

WY'EAST
MEDICAL



Specifications

PARAMETER	SPEC
• Maximum Load	600 lb
• Total Weight	87 lb
• Number of Lifts Per Charge	35 - 40
• Wheels, Front	3" or 2" Diameter
• Wheels, Rear	4" Diameter
• Turning Diameter	64.3" Diameter
• Leg Under Bed/Stretcher Clearance	3.8" or 2.5"
• Standard Door Width Clearance	31.6"
• Lifting Speed Unloaded	1.4 in/s
• Frame	Aluminum



52702 R08

800.255.3126 | wyeastmedical.com