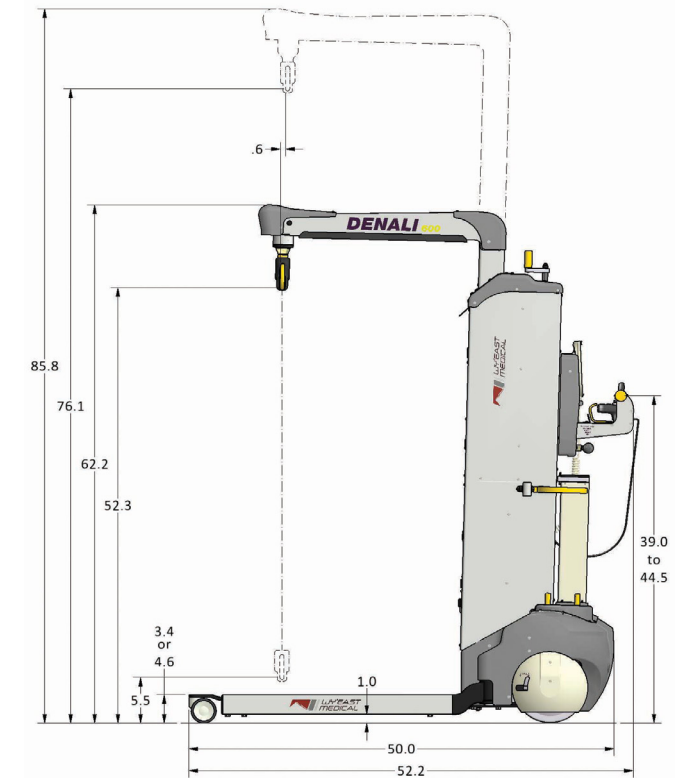
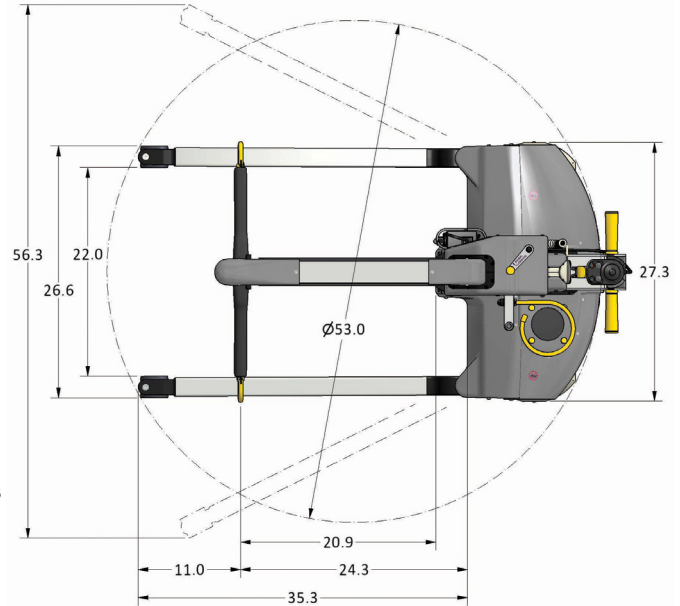


## TECHNICAL SPECIFICATIONS:

PARAMETER	SPEC
• SWL	600 lbs
• Device Part Number (3" casters)	52300
• Device Part Number (4" casters)	52400
• Unit of Measure	1 Each
• Battery	15 Ah LiFePO <sub>4</sub>
• Number of Lifts per Charge	200
• Charge Time	Quick 2 hr Full 10 hr
• Lift 15% - 85% Intermittent Usage	Run 2 min continuous Off 18 min
• Drive 50% - 50% Intermittent Usage	Run 10 min continuous Off 10 min
• Total Weight w/ Battery	220 lbs
• Wheels Diameter, Front	3" or 4"
• Wheels Diameter, Rear	8"
• Turning Diameter	53"
• Leg Under Bed/Stretcher Clearance	3.4" or 4.6"
• Standard Door Width Clearance	28"
• Lifting Speed Unloaded	1.75 in/s
• Driving Speed	1.4 mph
• 3 Sling Bar Options	15", 24" or 4 point
• Frame	Steel & Aluminum
• FDA Device Class	Class 1
• FDA Product Code	FSA
• FDA Regulatory Number	880.5510



## ENVIRONMENTAL CONDITIONS

	FOR SHIPMENT AND STORAGE	FOR USE
Temperature	14°F to 104°F (-10°C to 40°C)	41°F to 104°F (5°C to 40°C) ambient
Relative Humidity	20% to 80% non-condensing	20% to 80% non-condensing
Atmospheric Pressure	70 kPa to 106 kPa	70 kPa to 106 kPa

Note: Li-Ion batteries must be stored without exposure to direct sunlight



17011 R02 / AN 210617