

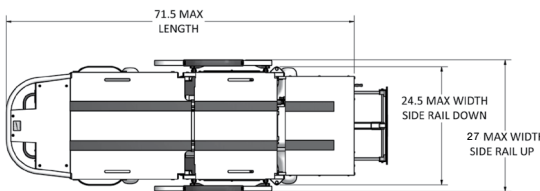
# TC-300

Technical Data – Treatment Chair

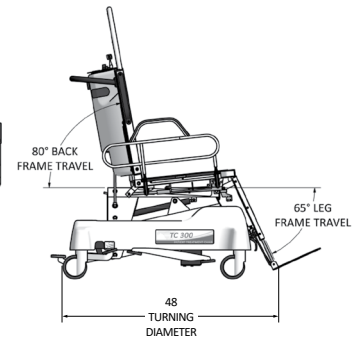
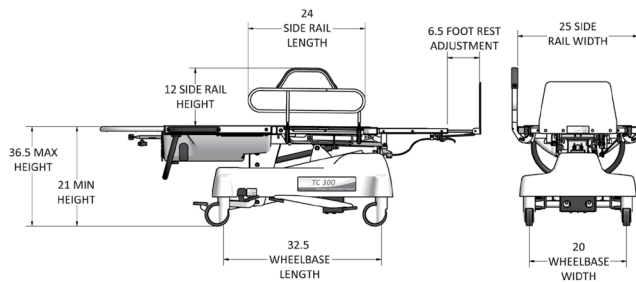


## TECHNICAL SPECIFICATIONS:

PARAMETER	SPEC
• SWL	400 lbs
• Device Part Number	90700A
• Unit of Measure	1 Each
• Total Weight	215 lbs
• Turning Diameter	48"
• Standard Door Width Clearance	27"
• Mattress Length	70"
• Mattress Width	23"
• Mattress Height	<b>51519</b> : 2.5" <b>51524</b> : 2.75"
• Foot Rest Adjustment	6.5"
• Side-Rail/Internal Dimension	25"
• Push/Pull Forces (with 250 lb patient)	Max force to initiate movement: 11.5 lbs Max force required to maintain movement: 10.9 lbs *Test conducted according to standard IEC 60601
• Push/Pull Forces (with 400 lb patient)	Max force to initiate movement: 19.4 lbs Max force required to maintain movement: 18.8 lbs *Test conducted according to standard IEC 60601
• Frame	Steel
• Mattress Types	Comfort Mattress, PVC fabric cover Pressure Management Mattress, PU fabric cover
• FDA Device Class	Class 1
• FDA Product Code	FRK
• FDA Regulatory Number	880.6140



Note: Mattress Not Shown



## ENVIRONMENTAL CONDITIONS

	FOR SHIPMENT AND STORAGE	FOR USE
Temperature	14°F to 104°F (-10°C to 40°C)	41°F to 104°F (5°C to 40°C) ambient
Relative Humidity	20% to 80% non-condensing	20% to 80% non-condensing
Atmospheric Pressure	70 kPa to 106 kPa	70 kPa to 106 kPa

Note: Li-Ion batteries must be stored without exposure to direct sunlight



51640 R04 / AN 210616